

# OATIS

**OAT SNACKS**  
**Better for you**

**Oatsnacks are a tasty treat  
made to be enjoyed in good  
conscience.**

**Delicious  
taste  
& Rich in  
fiber**

**Whole  
grain  
oats**

**40 %  
Less fat  
& Salt**



**Free from  
gluten  
& Vegan**

## **OAT SNACKS WITH SEA SALT**

Ingredients: Finnish gluten-free whole grain oatmeal (43%), Finnish potato grits, vegetable oils (sunflower, rapeseed), potato starch, sea salt.

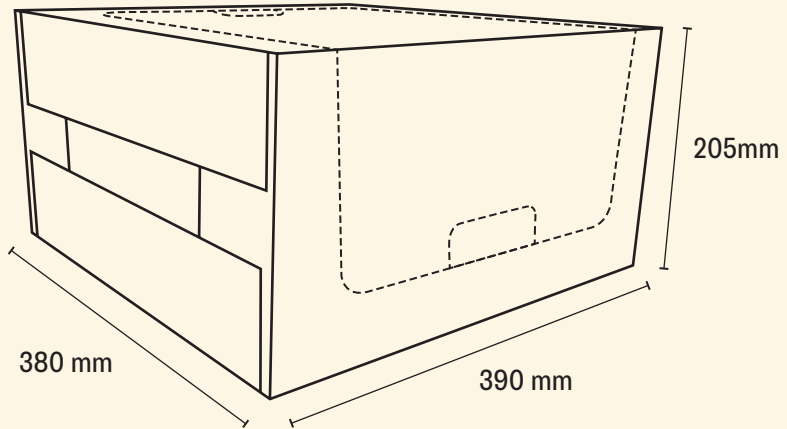
Possible package sizes:  
100g, 150g and 200g

## **Nutritional information**

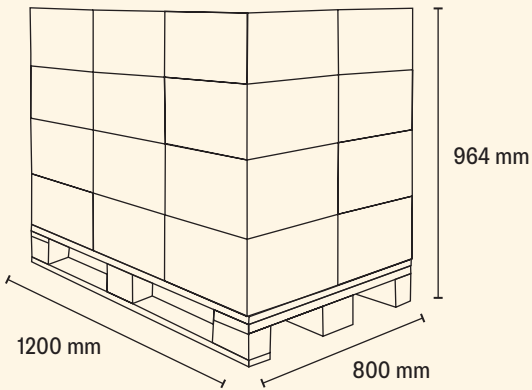
**/ 100g:**

Energy	1911 kJ / 457 kcal
Fat	20 g
- of which saturated	2.1 g
Carbohydrates	57 g
- of which sugars	1.1 g
Dietary fiber	7.1 g
Protein	8.4 g
Salt	1.3 g
Lactose	0 g

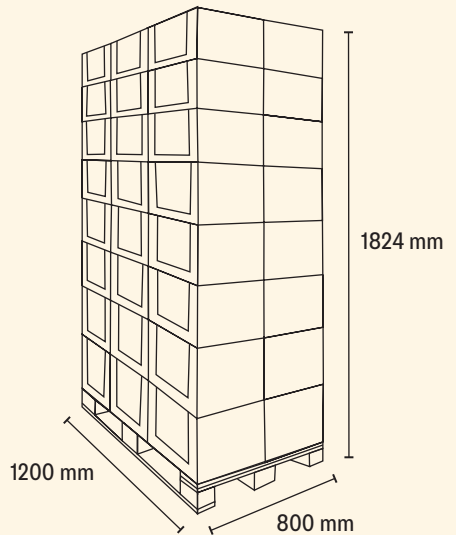




**SRP**  
**12 CU**  
**2 faces**



**EUR low pallet**  
**24 SRP**  
**288 CU**



**EUR high pallet**  
**48 SRP**  
**576 CU**

Total shelf life: 280 days

