

OATIS

BABY FOOD • 6+ MONTHS

In between meals

Baby food oat snacks are developed according to nutrition recommendations. Full of protein and rapeseed oil, no added salt nor sugar.

Organic & Vegan

Free from gluten & dairy

Eco pack



MOOMIN ORGANIC OAT SNACKS PEA-CARROT

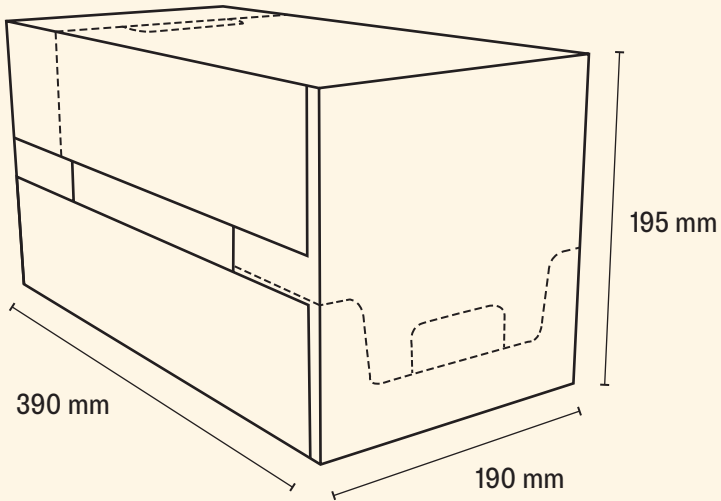
Ingredients: Finnish organic gluten free **oats** (29%), organic potato starch, organic pea flour (23%), Finnish organic rapeseed oil, organic carrot powder (5%), organic maltodextrin, natural flavouring (lemon), thiamin.

Nutritional information

/ 100g:

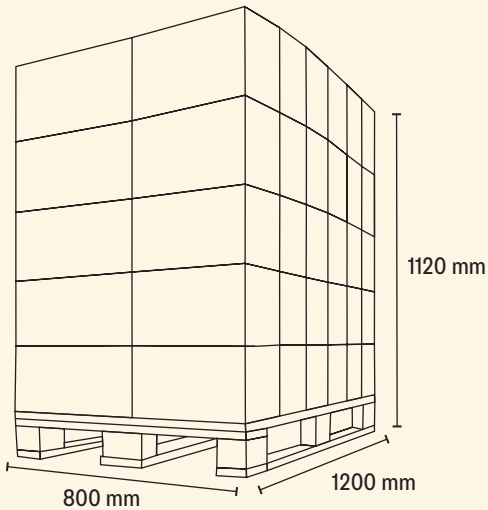
Energy	1889 kJ / 450 kcal
Fat	15 g
- of which saturated	1.1 g
Carbohydrates	67 g
- of which sugars	3.2 g
Dietary fiber	6.3 g
Protein	9.2 g
Salt	0.07 g
Lactose	0 g



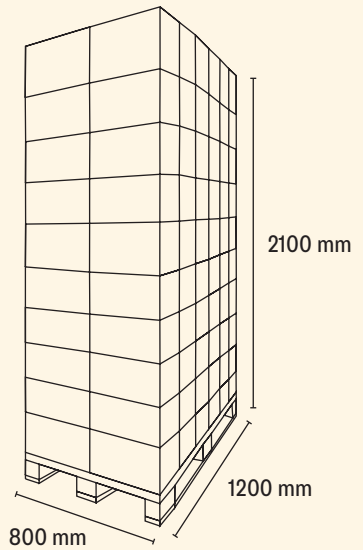


SRP

- 15 g 10 CUs
- 20 g 8 CUs
- 25 g 8 CUs
- 30 g 6 CUs
- 35 g 6 CUs



**EUR low pallet
60 SRP**



**EUR high pallet
120 SRP**

Total shelf life: 280 days

